

For reference only. See data sheet for the detailed specifications.

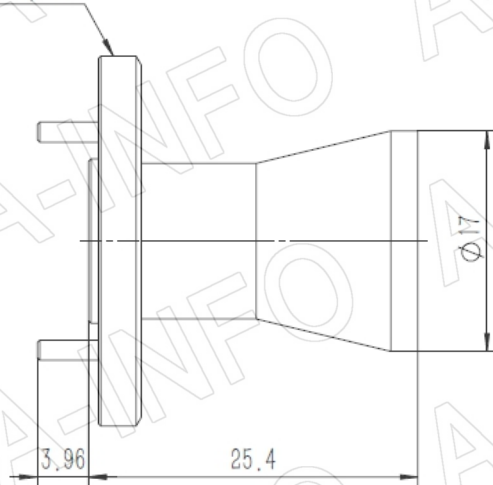
## Technical Specification



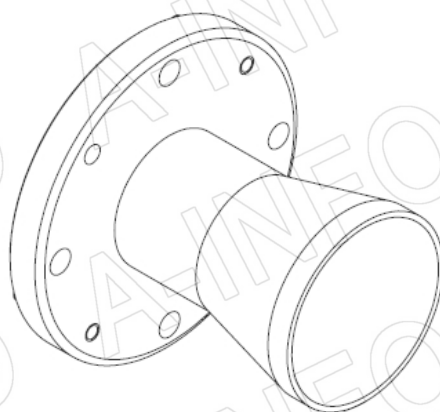
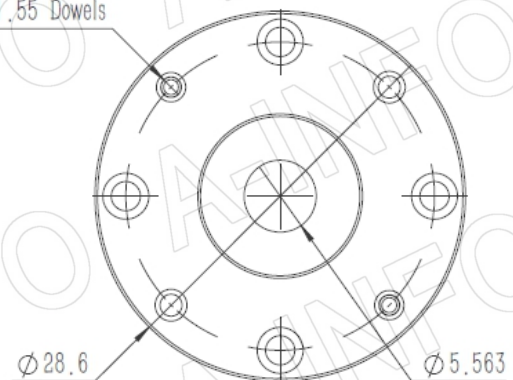
Frequency Range(GHz)	36.4 - 49.8
EIA WC	WC22
Circular WG Size	5.563mm / 0.22"
Gain(dBi)	15 Typ.
Polarization	Linear and Circular
3dB Beamwidth(deg)	E Plane: 26 Typ.
	H Plane: 31 Typ.
Cross Pol. Isolation(dB)	40 Typ.
VSWR	1.20:1 Max.
Output	UG-383/U-M
Material	Cu
Finish	Gold Plated
Size(mm)	28.6 x 28.6 x 25.4
Net Weight(Kg)	0.03 Around

## Outline Drawing (Size: mm)

UG-383/U-M



2x  $\phi$  1.55 Dowels



## AINFO Inc.

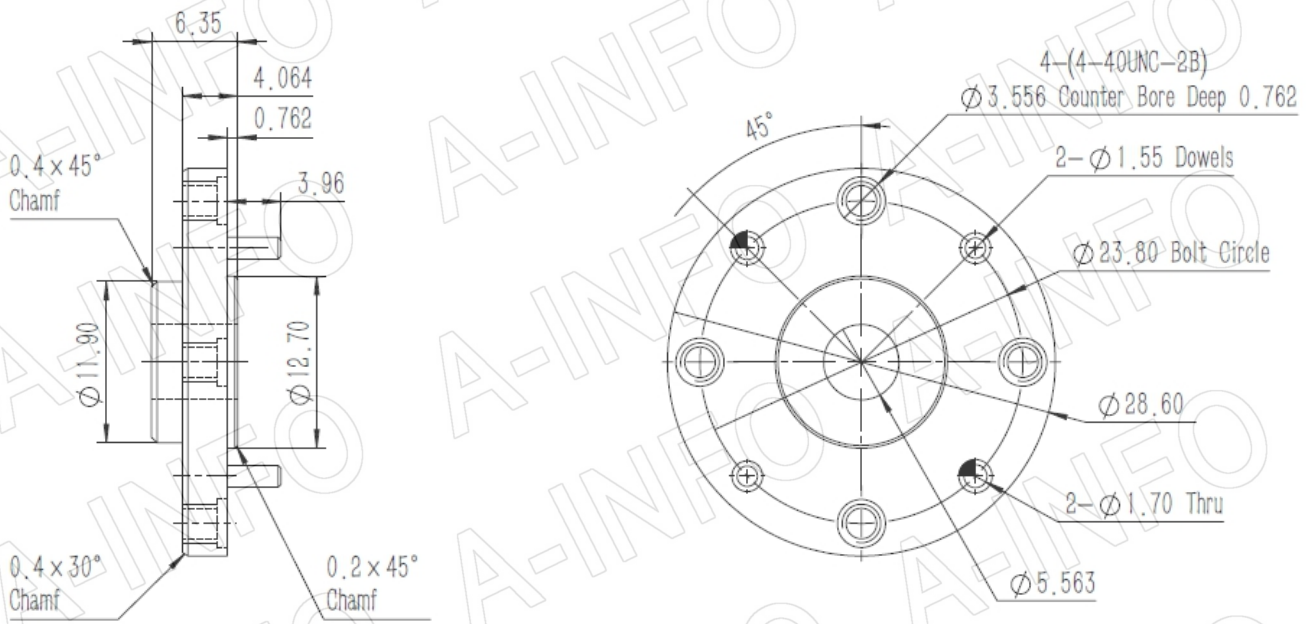
China(Beijing): Tel: (+86) 10-6266-7326,  
 China(Chengdu): Tel: (+86) 28-8519-2786,  
 USA: Tel: (+1) 949-639-9688,

Page 1 of 9

(+86) 10-6266-7327 Fax: (+86) 10-6266-7379  
 (+86) 28-8519-3044 Fax: (+86) 28-8519-3068  
 (+1) 949-639-9608 Fax: (+1) 949-639-9670

Website: [www.ainfoinc.com](http://www.ainfoinc.com)  
 Email: [sales@ainfoinc.com](mailto:sales@ainfoinc.com)

## Flange Drawing (Size: mm)



UG-383/U-M

### AINFO Inc.

China(Beijing): Tel: (+86) 10-6266-7326,  
China(Chengdu): Tel: (+86) 28-8519-2786,  
USA: Tel: (+1) 949-639-9688,

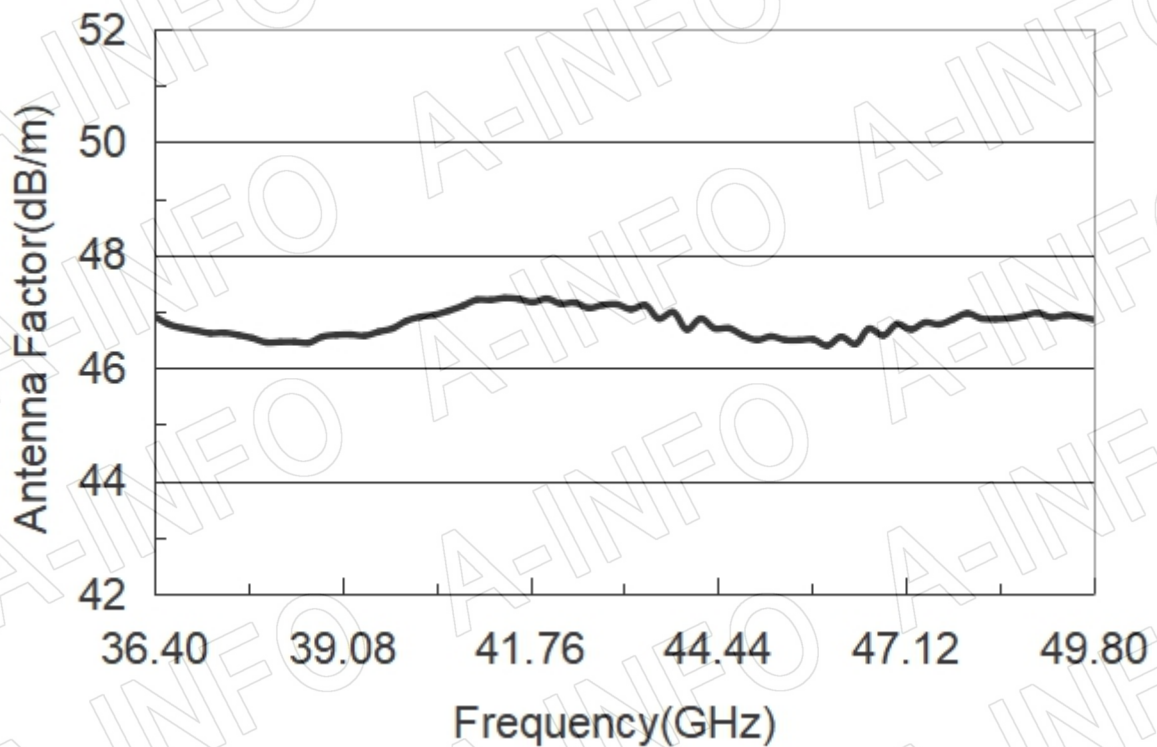
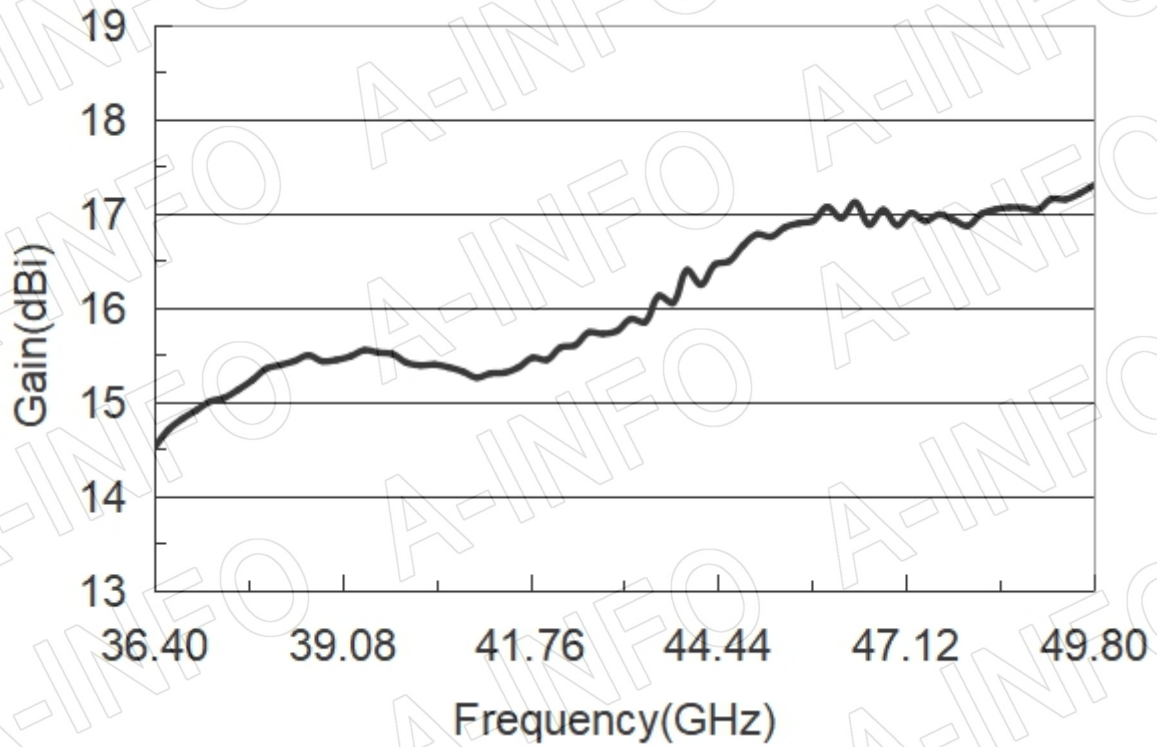
Page 2 of 9

(+86) 10-6266-7327 Fax: (+86) 10-6266-7379  
(+86) 28-8519-3044 Fax: (+86) 28-8519-3068  
(+1) 949-639-9608 Fax: (+1) 949-639-9670

Website: [www.ainfoinc.com](http://www.ainfoinc.com)  
Email: [sales@ainfoinc.com](mailto:sales@ainfoinc.com)

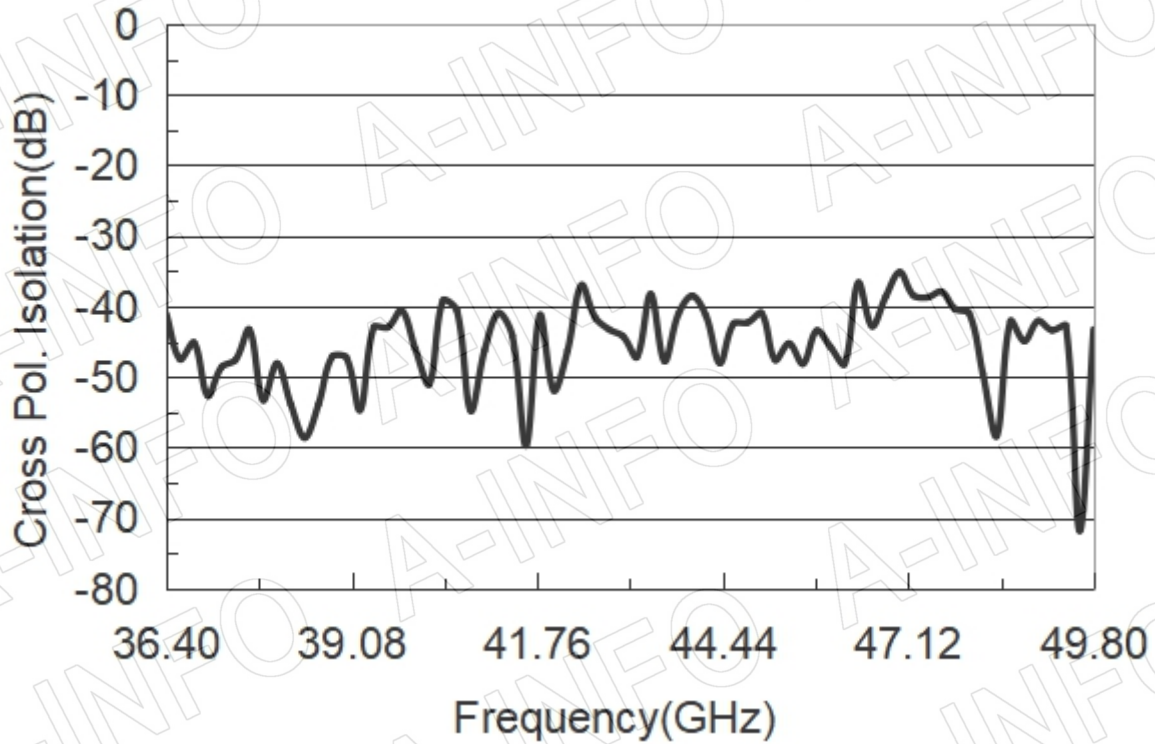
## Test Results(Including circular to rectangular transition)

### 1. Gain & Antenna Factor

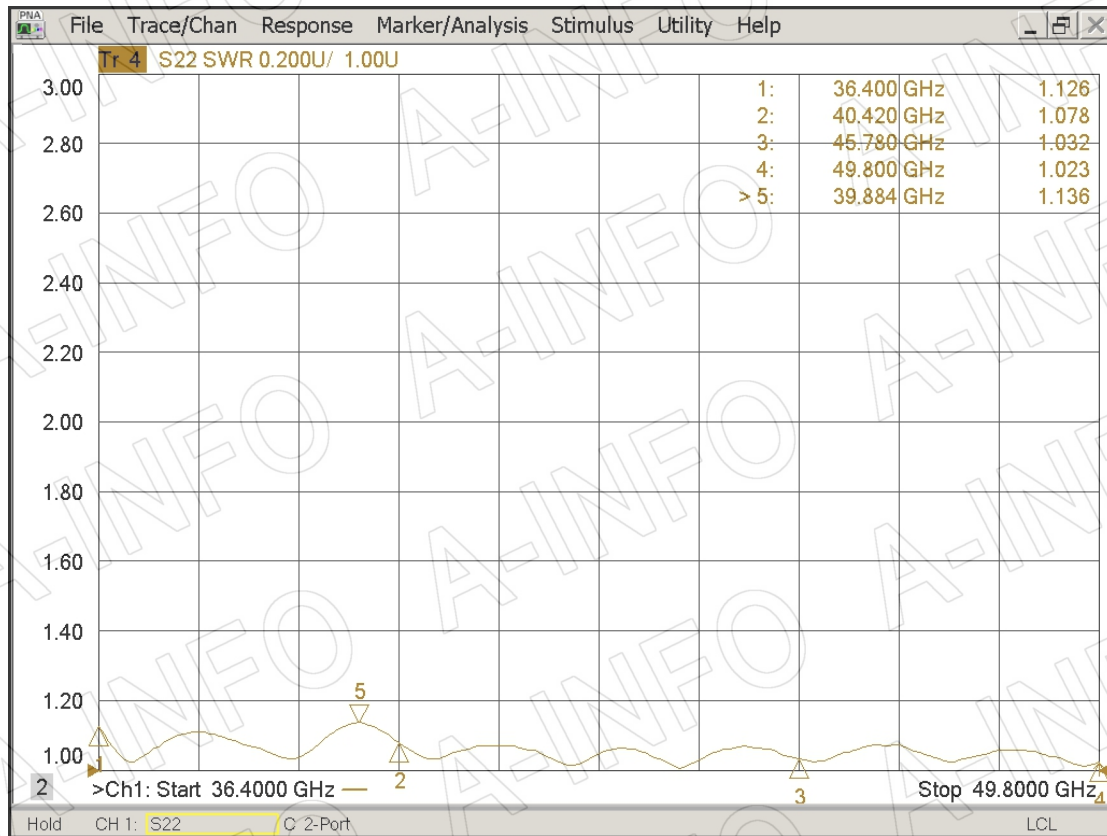




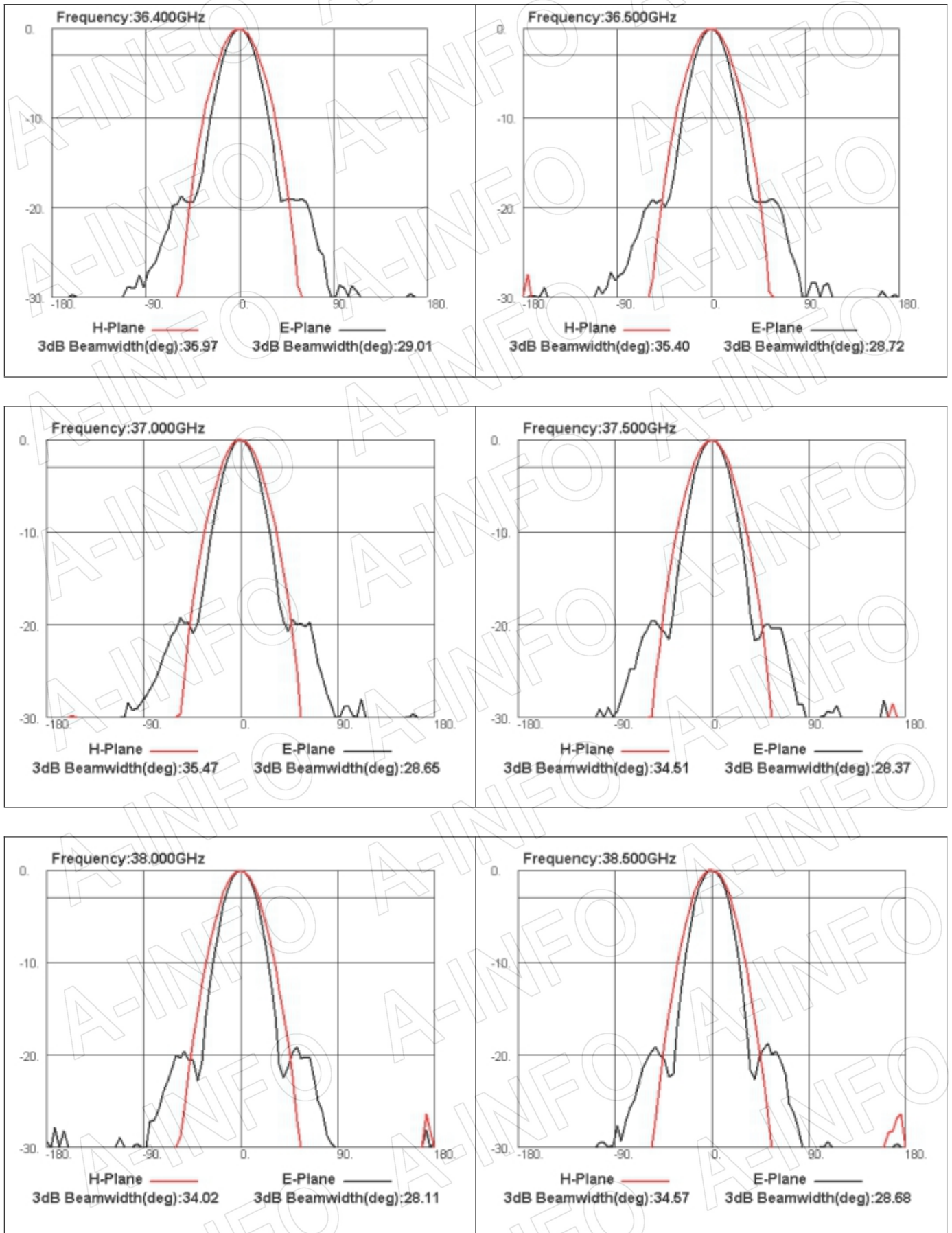
## 2. Cross Polarization Isolation



## 3. VSWR



## 4. Pattern



AINFO Inc.

China(Beijing): Tel: (+86) 10-6266-7326,  
China(Chengdu): Tel: (+86) 28-8519-2786,  
USA: Tel: (+1) 949-639-9688,

Page 5 of 9

(+86) 10-6266-7327 Fax: (+86) 10-6266-7379  
(+86) 28-8519-3044 Fax: (+86) 28-8519-3068  
(+1) 949-639-9608 Fax: (+1) 949-639-9670

Website: [www.ainfoinc.com](http://www.ainfoinc.com)  
Email: [sales@ainfoinc.com](mailto:sales@ainfoinc.com)

